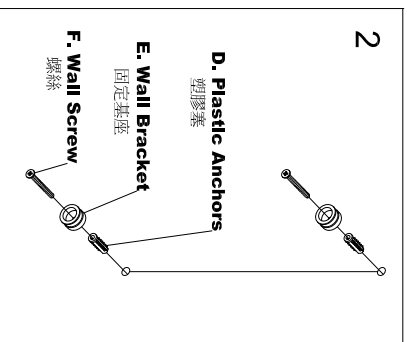
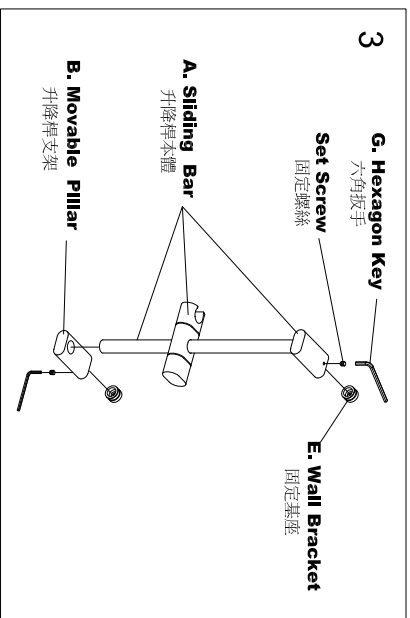
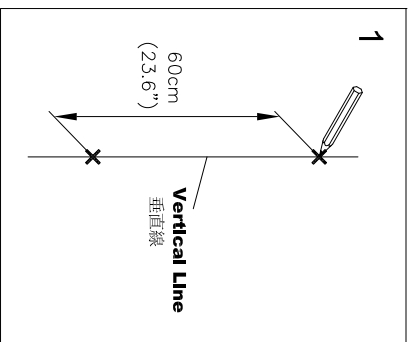


# INSTALLATION INSTRUCTIONS

Hand Shower Sliding Bar  
手持花灑升降桿安裝說明

PATENT NUMBER:  
專利號碼:  
ZL 2008 2 0114885. 8  
M340792



1. Locate two(2) appropriate drilling centers in vertical line for 60cm(23.6") apart and mark with pencil.  
在垂直線段，兩點相距60cm (23.6") 的位置，用鉛筆畫上鑽孔記號。
2. Use 6mm drilling bit to drill holes in your marked locations, when mounting on drywall, insert **Plastic Anchors**.  
當安裝在水泥牆，使用6mm(1/4")鑽頭鑽孔，填入塑膠塞使之齊平於牆面。
3. Insert **Wall Screws** through **Wall Brackets** and screw into the **Plastic Anchors**.  
將固定底座以螺絲鎖在牆面上。
4. Insert the **Sliding Bar** through **Movable Pillar**, then slide two(2) **Pillars** over **Wall Bracket** and tighten **Set Screws** with attached **Hexagon Key** as diagram shown.  
將升降桿本體與活動式升降桿支架組合，並套入已經鎖在牆面上的固定底座，用隨附的六角扳手，將固定螺絲鎖緊，完成安裝程序。

## FIXING CONTENTS

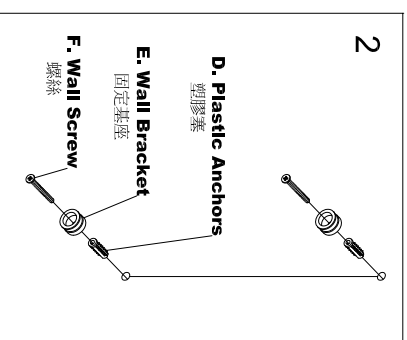
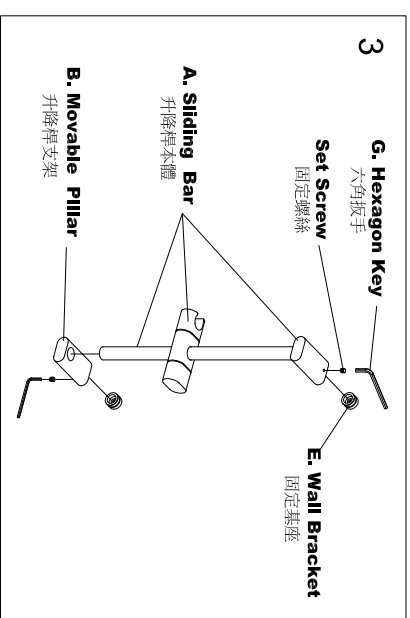
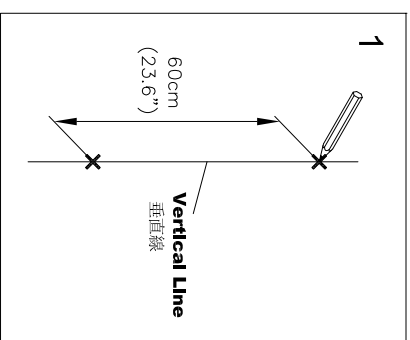
組配件內容



# INSTALLATION INSTRUCTIONS

Hand Shower Sliding Bar  
手持花灑升降桿安裝說明

PATENT NUMBER:  
專利號碼:  
ZL 2008 2 0114885. 8  
M340792



1. Locate two(2) appropriate drilling centers in vertical line for 60cm(23.6") apart and mark with pencil.  
在垂直線段，兩點相距60cm (23.6") 的位置，用鉛筆畫上鑽孔記號。
2. Use 6mm drilling bit to drill holes in your marked locations, when mounting on drywall, insert **Plastic Anchors**.  
當安裝在水泥牆，使用6mm(1/4")鑽頭鑽孔，填入塑膠塞使之齊平於牆面。
3. Insert **Wall Screws** through **Wall Brackets** and screw into the **Plastic Anchors**.  
將固定底座以螺絲鎖在牆面上。
4. Insert the **Sliding Bar** through **Movable Pillar**, then slide two(2) **Pillars** over **Wall Bracket** and tighten **Set Screws** with attached **Hexagon Key** as diagram shown.  
將升降桿本體與活動式升降桿支架組合，並套入已經鎖在牆面上的固定底座，用隨附的六角扳手，將固定螺絲鎖緊，完成安裝程序。

## FIXING CONTENTS

組配件內容

