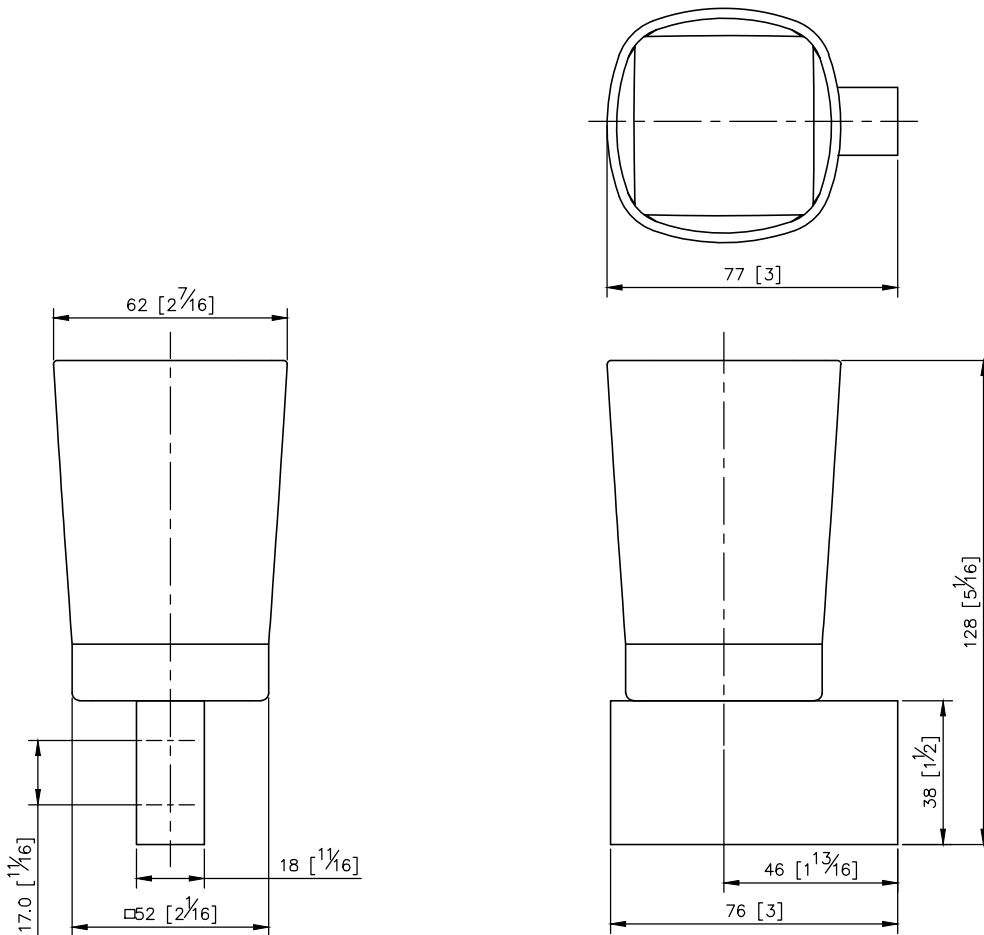


**Tumbler Holder**  
6908-30-80CP

- 1.Brass mounting base meets JIS 3604 standard.
- 2.Justime finishes resist corrosion and tarnish.
- 3.Chrome plated finish meets the standard of ASTM-SC2.
- 4.Vertical force could support a static load of 2 Kgf.
- 5.Frosted glass tumbler increases visual softness. With capacity 110ml.
- 6.Coordinates with other products in 6908 collection.

unit: mm[inch]



**Mounting Template Specification**

