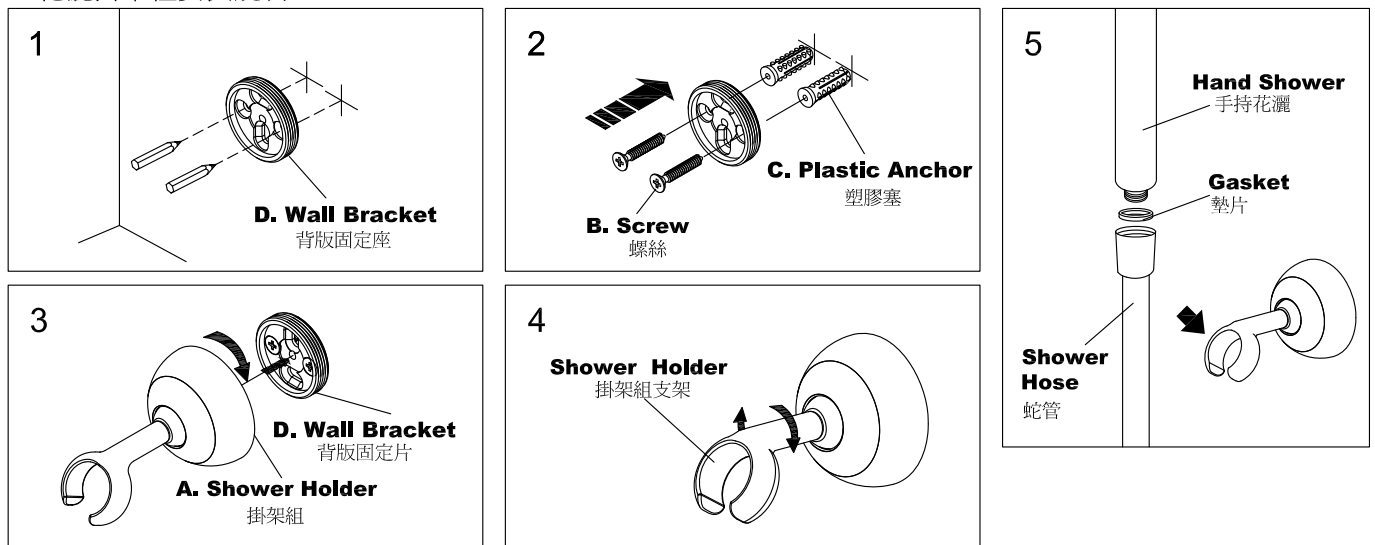


INSTALLATION INSTRUCTIONS

A. SHOWER HOLDER

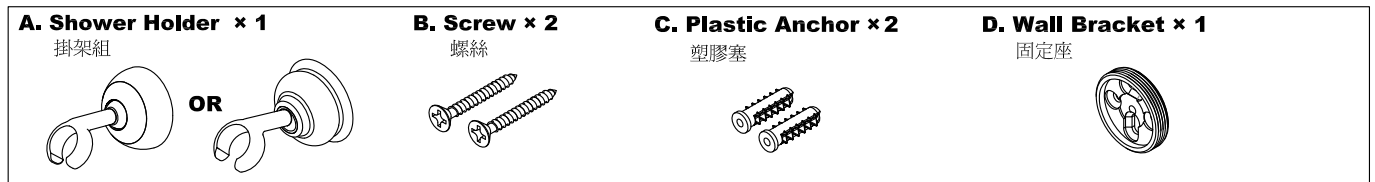
花灑掛架組安裝說明



- Using **Wall Bracket** as a template to mark and drill on proper positions as the Figure 1 shown.
先決定花灑掛架組安裝之高度,利用固定座上兩孔用鉛筆畫兩個基準點,再使用6mm鑽頭於牆上記號鑽孔如圖示 1.
- Using the 6mm drill-bit to drill the holes in the marked positions to the depth of 4cm. Insert the **Plastic Anchors** into the holes on wall, and then fix the **Wall Bracket** with **Screws**.
當安裝在水泥牆,使用1/4吋鑽頭,鑽孔深度4公分,嵌入塑膠塞並使之齊平於牆面,將背版固定片以螺絲鎖緊在牆上.
- Screw **Shower Holder** onto **Wall Bracket** and tighten it. As the Figure 3.
固定掛架背板之後,將掛架順時針鎖入固定座至鎖緊,如圖示 3.
- Rotate the **Shower Holder** to correct position as the Figure 4.
旋轉掛架組上支架轉至正確適當位置,如圖示 4.

FIXING CONTENTS

組配件內容



B. HAND SHOWERS / SHOWER HOSE

手持花灑 / 花灑蛇管

- Connect **Hand Shower** With **Hose**, and then place the **Hand Shower** on the Holder as fig.5 shown.
再將所選購的手持花灑接上蛇管,插於掛架內,如圖示5.

WALL BRACKETS COULD COLLOCATE WITH VARIOUS JUSTIME HAND SHOWERS.

可搭配巧時代(JUSTIME)其他造型手持花灑

